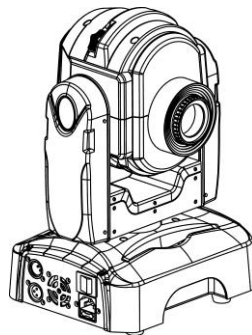
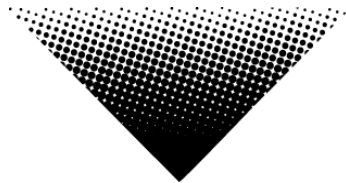


# Q-SPOT™ 150-LED

## Snapshot

OK on Dimmer	⊘
Outdoor OK	⊘
Sound Activated	✓
DMX512	✓
Master/Slave	✓
Autoswitching transformer	✓
Replaceable Fuse	✓
User Serviceable	⊘
Duty Cycle	⊘

## USER MANUAL



Value • Innovation • Performance

3000 N 29<sup>th</sup> Ct, Hollywood, FL 33020 U.S.A.

(800) 762-1084 – (954) 929-1115

FAX (954) 929-5560

[www.chauvetlighting.com](http://www.chauvetlighting.com)

# TABLE OF CONTENTS

<b>1. BEFORE YOU BEGIN</b> .....	<b>3</b>
WHAT IS INCLUDED .....	3
UNPACKING INSTRUCTIONS .....	3
AC POWER.....	3
CONTACT US .....	3
SAFETY INSTRUCTIONS .....	4
<b>2. INTRODUCTION</b> .....	<b>5</b>
FEATURES .....	5
DMX CHANNEL SUMMARY .....	5
PRODUCT OVERVIEW.....	6
PRODUCT DIMENSIONS .....	7
<b>3. SETUP</b> .....	<b>8</b>
<i>Fuse Replacement</i> .....	8
REPLACING GOBOS .....	8
GOBO AND COLOR WHEEL DIAGRAMS .....	9
FIXTURE LINKING.....	10
<i>Data Cabling</i> .....	10
<i>DMX Data Cable</i> .....	10
<i>Cable Connectors</i> .....	10
<i>3-Pin to 5-Pin Conversion Chart</i> .....	11
SETTING UP A DMX SERIAL DATA LINK .....	11
MASTER/SLAVE FIXTURE LINKING .....	11
MOUNTING.....	12
<i>Orientation</i> .....	12
<i>Rigging</i> .....	12
<b>4. OPERATING INSTRUCTIONS</b> .....	<b>13</b>
NAVIGATING THE CONTROL PANEL.....	13
MENU MAP .....	14
MENU MAP .....	14
MENU FUNCTIONS .....	15
<i>Service Functions</i> .....	15
<i>To test the fixture:</i> .....	15
<i>To reset the fixture:</i> .....	15
<i>To restore all settings to their factory defaults:</i> .....	15
OPERATION .....	15
<i>Master/Slave Mode (Master Sound, Master Auto):</i> .....	15
<i>DMX Mode</i> .....	15
DMX CHANNEL VALUES .....	15
<i>Setting the DMX Starting Address</i> .....	18
<b>5. APPENDIX</b> .....	<b>18</b>
DMX PRIMER .....	18
GENERAL MAINTENANCE.....	19
RETURNS PROCEDURE .....	19
CLAIMS .....	19
Q-SPOT™ 150-LED TROUBLESHOOTING .....	20
TECHNICAL SUPPORT .....	20
<b>EXPLODED VIEW</b> .....	<b>21</b>
PHOTOMETRICS .....	22
TECHNICAL SPECIFICATIONS .....	22

# 1. BEFORE YOU BEGIN

## What is included

- 1 x Q-Spot™ 150-LED
- 1 x Set of 3 extra gobos
- 1 x Bracket set
- 1 x Power Cord
- 1 x Warranty Card
- 1 x User Manual

## Unpacking Instructions

Immediately upon receiving a fixture, carefully unpack the carton, check the contents to ensure that all parts are present, and have been received in good condition. Notify the shipper immediately and retain packing material for inspection if any parts appear damaged from shipping or the carton itself shows signs of mishandling. Save the carton and all packing materials. In the event that a fixture must be returned to the factory, it is important that the fixture be returned in the original factory box and packing.

## AC Power

This fixture has an auto-switching power supply that can accommodate a wide range of input voltages. The only thing necessary to do before powering on the unit is to make sure the line voltage you are applying is within the range of accepted voltages. This fixture will accommodate between 100 V and 240 VAC, 50/60 Hz. All fixtures must be powered directly off a switched circuit and cannot be run off a rheostat (variable resistor) or dimmer circuit, even if the rheostat or dimmer channel is used solely for a 0% to 100% switch.

**Warning!** *All fixtures must be connected to circuits with a suitable Earth Ground.*

## Contact Us

### World Wide

#### **General Information**

CHAUVET  
3000 North 29<sup>th</sup> Court  
Hollywood, FL 33020  
voice: 954.929.1115  
fax: 954.929.5560  
toll free: 800.762.1084

#### **Technical Support**

CHAUVET  
3000 North 29<sup>th</sup> Court  
Hollywood, FL 33020  
voice: 954.929.1115 (**Press 4**)  
fax: 954.929.5560 (**Attention: Service**)

#### **World Wide Web**

[www.chauvetlighting.com](http://www.chauvetlighting.com)

## Safety Instructions



Please read these instructions carefully, which includes important information about the installation, usage and maintenance of this product.

- Please keep this User Guide for future consultation. If you sell the unit to another user, be sure that they also receive this instruction booklet.
- Always make sure that you are connecting to the proper voltage, and that the line voltage you are connecting to is not higher than that stated on the decal or rear panel of the fixture.
- This product is intended for indoor use only! To prevent risk of fire or shock, do not expose fixture to rain or moisture.
- Make sure there are no flammable materials close to the unit while operating.
- The unit must be installed in a location with adequate ventilation, at least 20 in (50 cm) from adjacent surfaces. Be sure that no ventilation slots are blocked.
- Always disconnect from power source before servicing or replacing parts or fuse and be sure to replace with same parts.
- Secure fixture to fastening device using a safety chain. Never carry the fixture solely by its head. Use its carrying handles.
- Maximum ambient temperature (Ta) is 104° F (40° C). Do not operate fixture at temperatures higher than this.
- In the event of a serious operating problem, stop using the unit immediately. Never try to repair the unit by yourself. Repairs carried out by unskilled people can lead to damage or malfunction. Please contact the nearest authorized technical assistance center.
- Never connect the device to a dimmer pack.
- Make sure the power cord is never crimped or damaged.
- Never disconnect the power cord by pulling or tugging on the cord.
- Avoid direct eye exposure to the light source while it is on.

**Caution!**

***There are no user serviceable parts inside the unit. Do not open the housing or attempt any repairs yourself. In the unlikely event your unit may require service, please contact CHAUVET at: 954-929-1115.***

# 2. INTRODUCTION

## Features

- 9 or 12-channel DMX LED moving yoke
- Pan: 530° / Tilt: 270°
- Color wheel
  - 9 colors + white
  - Rainbow color spin at variable speeds
- Rotating gobo wheel with gobo shake
  - 7 interchangeable, slot-n-lock gobos + open
  - Gobo wheel spin at variable speeds
- 3-facet prism
- Variable electronic strobe
- Variable electronic dimmer (0 – 100%)
- Remote fixture reset
- 255 user-programmable steps without DMX controller
- Move-in-black for pan/tilt
- Built-in automated programs
- Built-in sound activated programs

## Additional Features

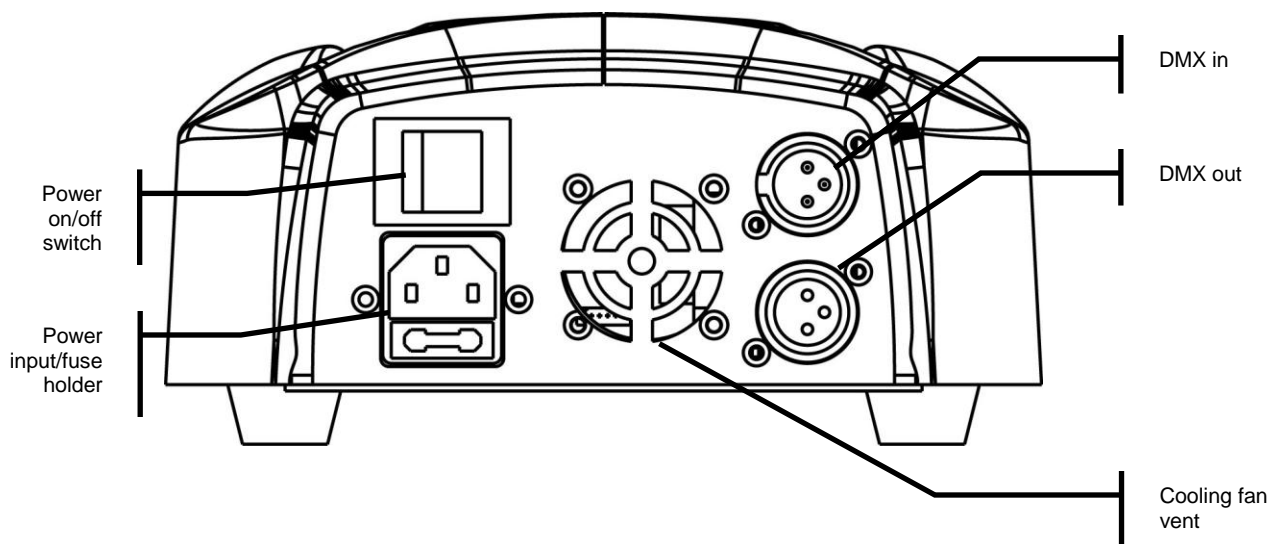
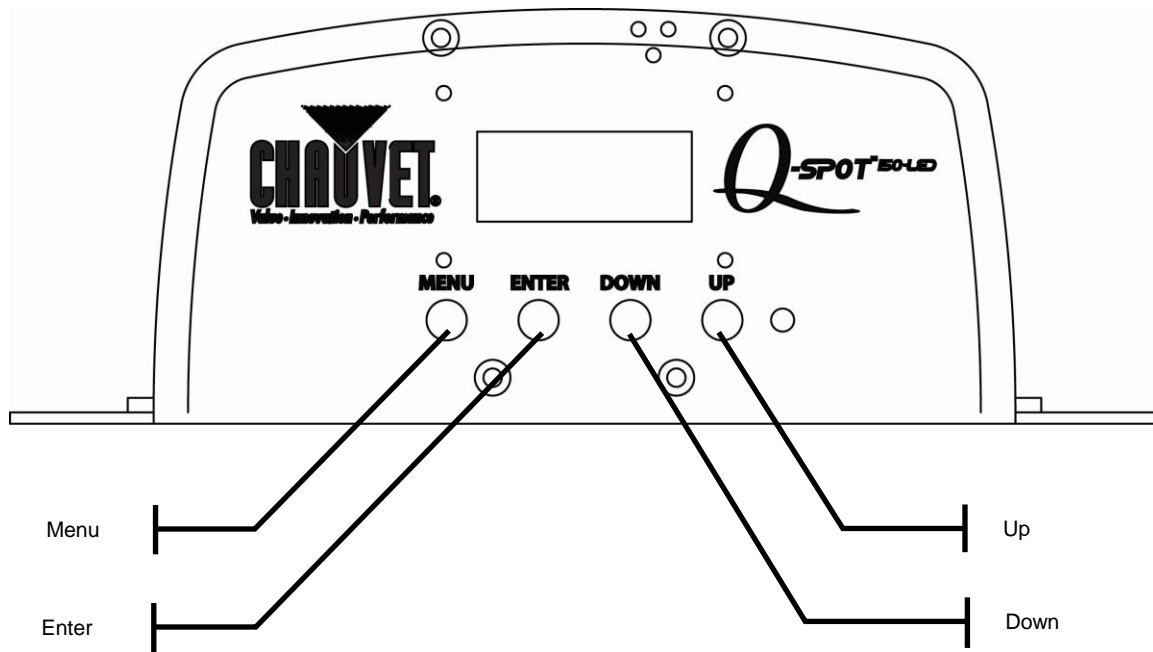
- 1 High-powered, 20 W (1000 mA) LED
- User-selectable pan/tilt ranges
- Automatic pan/tilt correction
- Reset to factory settings option
- User-selectable basic or advanced operating modes

## DMX Channel Summary

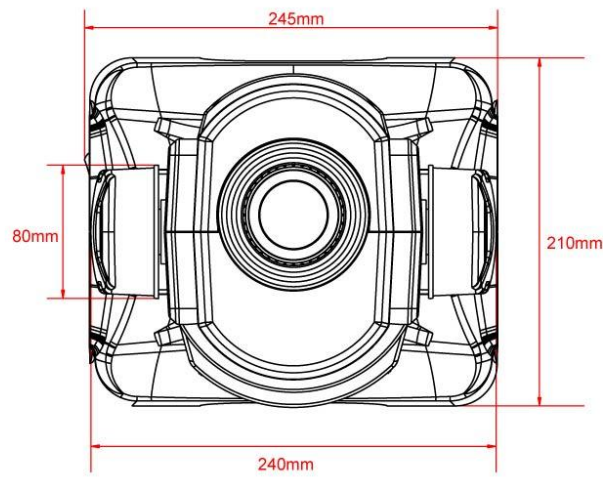
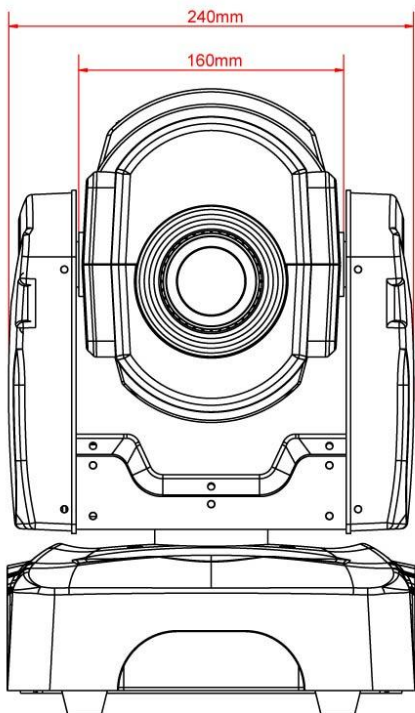
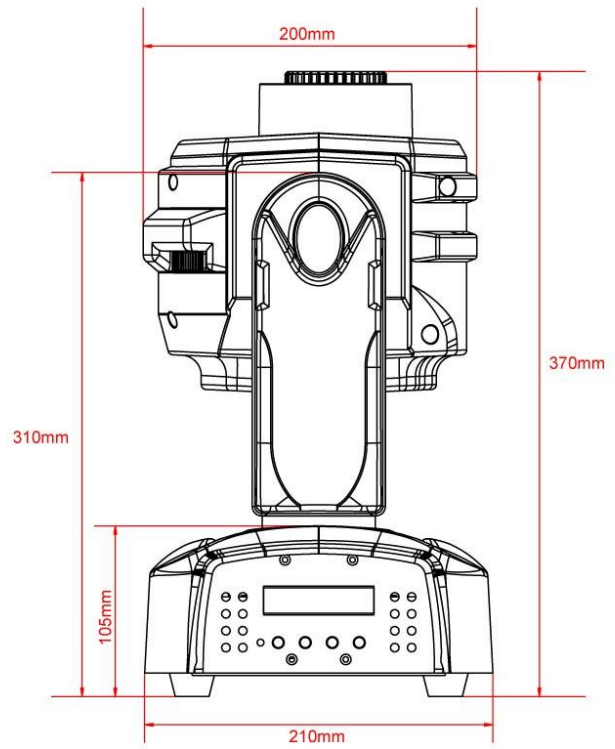
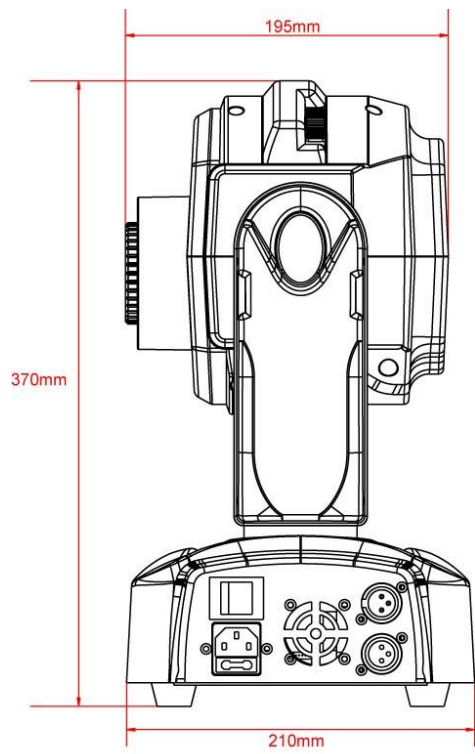
CHANNEL	FUNCTION (ADVANCED MODE)
1	Pan
2	Pan fine
3	Tilt
4	Tilt fine
5	Pan/Tilt Speed
6	Color
7	Gobo
8	Gobo rotate
9	Prism
10	Dimmer
11	Strobe
12	Control

CHANNEL	FUNCTION (BASIC MODE)
1	Pan
2	Tilt
3	Color
4	Gobo
5	Gobo rotate
6	Prism
7	Dimmer
8	Strobe
9	Control

## Product Overview



# Product Dimensions



# 3. SETUP

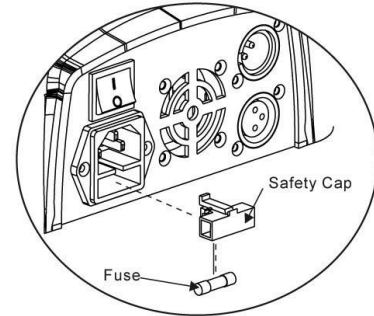


Disconnect the power cord before replacing a fuse and always replace with the same type fuse.



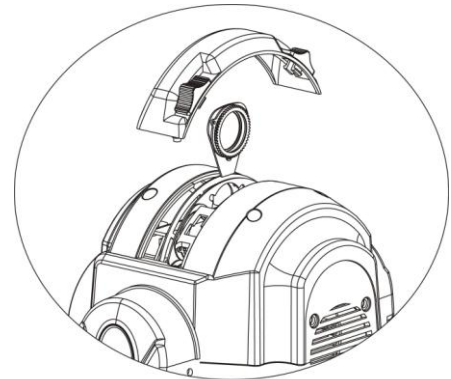
## Fuse Replacement

- 1) With a flat head screwdriver wedge the fuse holder out of its housing.
- 2) Remove the damaged fuse from its holder and replace with exact same type and rating fuse.
- 3) Insert the fuse holder back in its place.
- 4) Reconnect power.



## Replacing Gobos

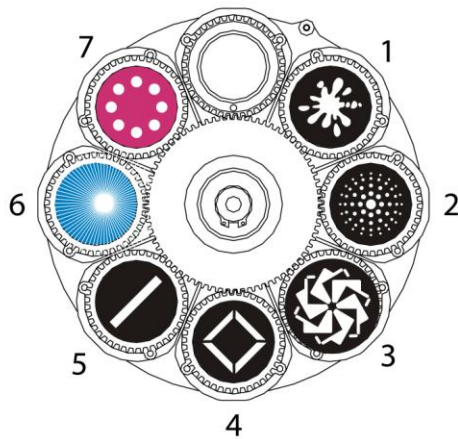
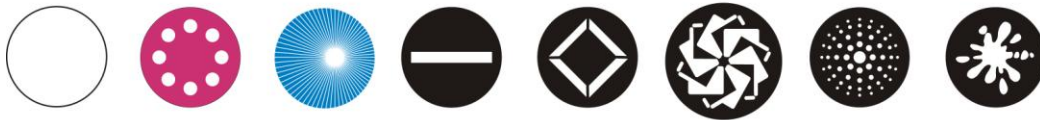
- 1) Remove the gobo cover.
- 2) Remove the slot-n-lock gobo from the gobo wheel.
- 3) Using a small tool, pry the tension ring from the gobo holder.
- 4) Remove the old gobo.
- 5) Insert the new gobo, and replace in the reverse steps of removal.





## Gobo and Color Wheel Diagrams

### Rotating Gobo wheel



### Color wheel



## Fixture Linking

You will need a serial data link to run light shows of one or more fixtures using a DMX controller or to run synchronized shows on two or more fixtures set to a master/slave operating mode. The combined number of channels required by all the fixtures on a serial data link determines the number of fixtures the data link can support.

**Important:** Fixtures on a serial data link must be daisy chained in one single line. To comply with the EIA-485 standard no more than 32 devices should be connected on one data link. Connecting more than 32 fixtures on one serial data link without the use of a DMX optically-isolated splitter may result in deterioration of the digital DMX signal.

Maximum recommended serial data link distance: 500 meters (1640 ft.)

Maximum recommended number of fixtures on a serial data link: 32 fixtures

## Data Cabling

To link fixtures together you must obtain data cables. You can purchase CHAUVET certified DMX cables directly from a dealer/distributor or construct your own cable. If you choose to create your own cable please use data-grade cables that can carry a high quality signal and are less prone to electromagnetic interference.

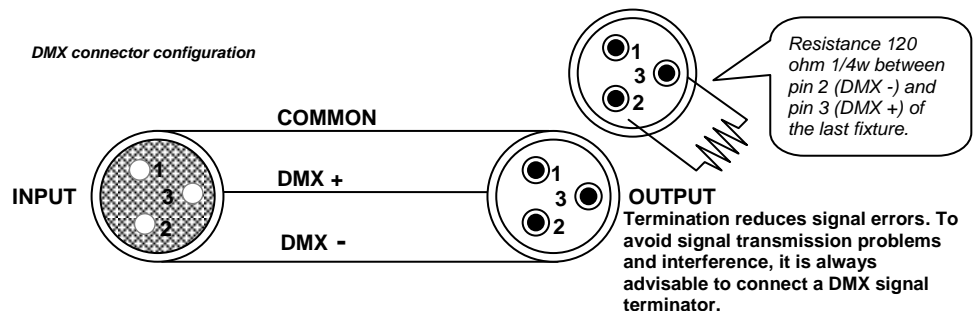
## DMX Data Cable

Use a Belden© 9841 or equivalent cable which meets the specifications for EIA RS-485 applications. Standard microphone cables cannot transmit DMX data reliably over long distances. The cable must have the following characteristics:

*2-conductor twisted pair plus a shield  
Maximum capacitance between conductors – 30 pF/ft.  
Maximum capacitance between conductor and shield – 55 pF/ft.  
Maximum resistance of 20 ohms / 1000 ft.  
Nominal impedance 100 – 140 ohms*

## Cable Connectors

Cabling must have a male XLR connector on one end and a female XLR connector on the other end.



**CAUTION** Do not allow contact between the common and the fixture's chassis ground. Grounding the common can cause a ground loop, and your fixture may perform erratically. Test cables with an ohm meter to verify correct polarity and to make sure the pins are not grounded or shorted to the shield or each other.

## 3-Pin to 5-Pin Conversion Chart

**Note!** If you use a controller with a 5 pin DMX output connector, you will need to use a 5 pin to 3 pin adapter.

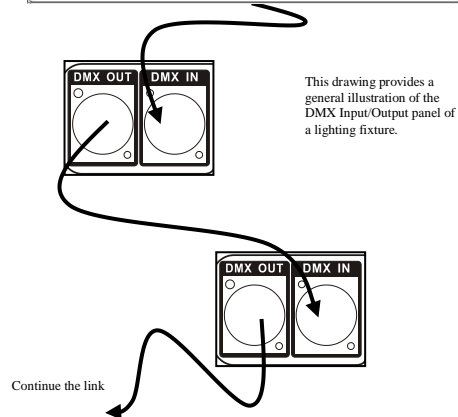
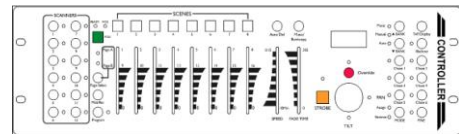
The chart below details a proper cable conversion:

3 PIN TO 5 PIN CONVERSION CHART		
Conductor	3 Pin Female (output)	5 Pin Male (Input)
Ground/Shield	Pin 1	Pin 1
Data ( - ) signal	Pin 2	Pin 2
Data ( + ) signal	Pin 3	Pin 3
Do not use		Pin 4
Do not use		Pin 5

## Setting up a DMX Serial Data Link

1. Connect the (male) 3 pin connector side of the DMX cable to the output (female) 3 pin connector of the controller.
2. Connect the end of the cable coming from the controller which will have a (female) 3 pin connector to the input connector of the next fixture consisting of a (male) 3 pin connector.
3. Then, proceed to connect from the output as stated above to the input of the following fixture and so on.

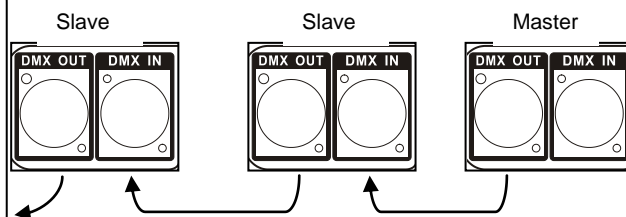
Universal DMX Controller



## Master/Slave Fixture Linking

1. Connect the (male) 3 pin connector side of the DMX cable to the output (female) 3 pin connector of the first fixture.
2. Connect the end of the cable coming from the first fixture which will have a (female) 3 pin connector to the input connector of the next fixture consisting of a (male) 3 pin connector. Then, proceed to connect from the output as stated above to the input of the following fixture and so on.

Often, the setup for Master-Slave and Standalone operation requires that the first fixture in the chain be initialized for this purpose via either settings in the control panel or DIP-switches. Secondly, the fixtures that follow may also require a slave setting. Please consult the "Operating Instructions" section in this manual for complete instructions for this type of setup and configuration.



## Mounting

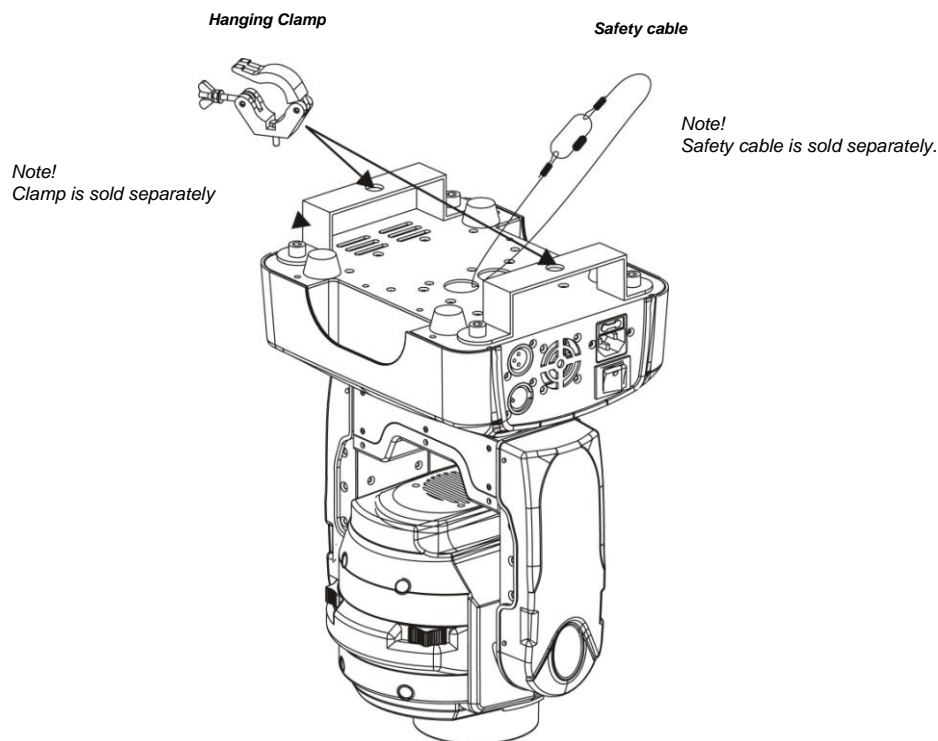
### Orientation

This fixture may be mounted in a vertical hanging or floor mounted position, provided there is adequate room for ventilation.

### Rigging

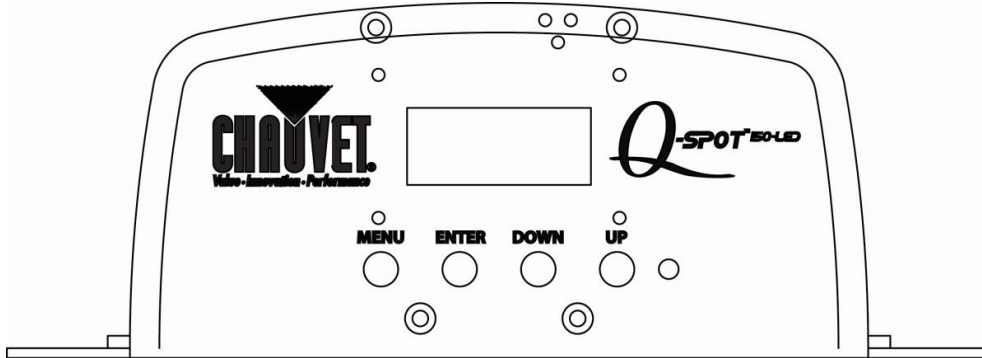
It is important never to obstruct the fan or vents pathway. Mount the fixture, using a suitable “C” or “O” type clamp. Adjust the angle of the fixture by loosening both knobs and tilting the fixture. After finding the desired position, retighten both knobs.

- When selecting installation location, take into consideration access and routine maintenance.
- Safety cables must always be used.
- Never mount in places where the fixture will be exposed to rain, high humidity, extreme temperature changes or restricted ventilation.



# 4. OPERATING INSTRUCTIONS

## Navigating the Control Panel



Button	Function
<MENU>	Used to access the menu or to return to a previous menu option
<ENTER>	Used to select and store the current menu or option within a menu
<DOWN>	Scrolls through menu options in descending order
<UP>	Scrolls through menu options in ascending order

Access control panel functions using the four panel buttons located directly underneath the LCD Display.

The Control Panel LCD Display shows the menu items you select from the menu map. When a menu function is selected, the display will show immediately the first available option for the selected menu function. To select a menu item, press <ENTER>.

Use the <UP> and <DOWN> buttons to navigate the menu map and menu options. Press the <ENTER> button to access the menu function currently displayed or to enable a menu option. To return to the previous option or menu without changing the value, press the <MODE> button.

# Menu Map

MAIN FUNCTION	SUB-FUNCTION	SELECTION	INSTRUCTION	
1-Intro	1.1 Address	000 ~ 255	<ul style="list-style-type: none"> <li>• Sets the DMX starting address</li> </ul>	
	1.2 Reset	Yes ~ No	<ul style="list-style-type: none"> <li>• Resets the fixture to the "home" position</li> </ul>	
	1.3 Operation	DMX-512		<ul style="list-style-type: none"> <li>• Sets the fixture to DMX mode</li> </ul>
		Auto_1		<ul style="list-style-type: none"> <li>• Sets the fixture to hanging auto mode (for placing on speaker)</li> </ul>
		Auto_2		<ul style="list-style-type: none"> <li>• Sets the fixture to floor standing auto mode (pointing down)</li> </ul>
		Sound_1		<ul style="list-style-type: none"> <li>• Sets the fixture to hanging sound mode (for placing on speaker)</li> </ul>
		Sound_2		<ul style="list-style-type: none"> <li>• Sets the fixture to floor standing sound mode (pointing down)</li> </ul>
		Custom		<ul style="list-style-type: none"> <li>• Sets the fixture to run the user program</li> </ul>
		Test		<ul style="list-style-type: none"> <li>• Sets the fixture to run a standard test program</li> </ul>
	1.4 Channels	Advanced		<ul style="list-style-type: none"> <li>• 8-bit pan/tilt operation</li> </ul>
		Basic		<ul style="list-style-type: none"> <li>• 16-bit pan/tilt operation</li> </ul>
1.5 Display	60 close		<ul style="list-style-type: none"> <li>• Turns the display backlight off after 60 seconds of being idle</li> </ul>	
	Bright		<ul style="list-style-type: none"> <li>• Sets the display backlight to remain on indefinitely</li> </ul>	
1.6 Info	Edition		<ul style="list-style-type: none"> <li>• Shows the software version</li> </ul>	
2-Invert	2.1 Pan	Normal	<ul style="list-style-type: none"> <li>• Sets the Pan operation: 0° ~ 530°</li> </ul>	
		Reverse	<ul style="list-style-type: none"> <li>• Sets the Pan operation: 530° ~ 0°</li> </ul>	
	2.2 Tilt	Normal	<ul style="list-style-type: none"> <li>• Sets the Pan operation: 0° ~ 270°</li> </ul>	
		Reverse	<ul style="list-style-type: none"> <li>• Sets the Pan operation: 270° ~ 0°</li> </ul>	
	2.3 Color	Step	<ul style="list-style-type: none"> <li>• Sets the COLOR wheel channel to locking colors</li> </ul>	
		Linear	<ul style="list-style-type: none"> <li>• Allows split color operation on the color wheel channel</li> </ul>	
2.4 Use	No ~ Yes	<ul style="list-style-type: none"> <li>• Enables / disables all of the Invert functions: &lt;2.1&gt;-&lt;2.3&gt;</li> </ul>		
3-Range	3.1 P/start	000 ~ 255	<ul style="list-style-type: none"> <li>• Sets the Pan starting range</li> </ul>	
	3.2 P/Finish	000 ~ 255	<ul style="list-style-type: none"> <li>• Sets the Pan end range</li> </ul>	
	3.3 T/start	000 ~ 255	<ul style="list-style-type: none"> <li>• Sets the Tilt starting range</li> </ul>	
	3.4 T/Finish	000 ~ 255	<ul style="list-style-type: none"> <li>• Sets the Tilt end range</li> </ul>	
	3.5 Use	No ~ Yes	<ul style="list-style-type: none"> <li>• Enables / disables all of the Range functions: &lt;3.1&gt;-&lt;3.4&gt;</li> </ul>	
4-Special	4.1 Black	No ~ Yes	<ul style="list-style-type: none"> <li>• Allows the move-in-black function to save via DMX</li> </ul>	
	4.2 Reset	DMX	<ul style="list-style-type: none"> <li>• Allows the DMX remote address command to be received</li> </ul>	
		System	<ul style="list-style-type: none"> <li>• Prevents a remote reset command from being received</li> </ul>	
5-Edit	5.1 Step	0 ~ 255	<ul style="list-style-type: none"> <li>• Select which step to edit</li> </ul>	
	5.2 Pan	000 ~ 255	<ul style="list-style-type: none"> <li>• Use the 9 different attributes of the fixture to create a custom program</li> </ul>	
	5.3 Tilt			
	5.4 X/Y_Speed			
	5.5 Color			
	5.6 Gobo			
	5.7 Gobo_Rot			
	5.8 Prism			
	5.9 Dimmer			
	5.10 Strobe			
	5.11 Time	000 ~ 255	<ul style="list-style-type: none"> <li>• Selects the duration of the step</li> </ul>	
	5.12 Use	No ~ Yes	<ul style="list-style-type: none"> <li>• Enables / disables the custom program</li> </ul>	
6-Default	6.1 Default	No ~ Yes	<ul style="list-style-type: none"> <li>• Sets the fixture back to the factory defaults (erases the custom programs)</li> </ul>	

## Menu Functions

### Service Functions

#### To test the fixture:

- 1) Use the "Test" function under the "1.3 Operation" menu (see page 14).

#### To reset the fixture:

- 1) Use the "4.2 Reset" function under the "4-Special" menu (see page 14).

#### To restore all settings to their factory defaults:

- 1) Use the "6.1 Default" function under the "6-Default" menu (see page 14).

## Operation

### Master/Slave Mode (Master Sound, Master Auto):

This mode will allow you to link up to 32 units together without a controller.

- 1) Use standard DMX cables to daisy chain your units together via the DMX connector on the rear of the units. For longer cable runs we suggest a terminator at the last fixture.
- 2) Choose a unit to function as the Master. Turn dipswitches to the Master position on the unit. The unit must be the first unit in line. Then simply chain the units together using DMX cable.

Note: The master unit must be in one of the Auto or Sound modes. *See the Menu Map for setting the options in the menu and navigating the Control Board.*

- 3) Adjust the "Operation" to "Slave" on the slave units, and they will react the same as the Master unit.

Note: if you would like to have the fixtures invert, then you can set this in the Control board.

### DMX Mode

This mode allows the unit to be controlled by any universal DMX controller. If you are unfamiliar with DMX, please read the DMX Primer section.

- 1) Set the "Operation" to "DMX512".
- 2) Set your DMX starting address.

### DMX Channel Values

The Q-Spot™ 150-LED has 2 DMX channel profiles (operation modes). These can be accessed in the Control Board.

## Advanced (16-bit)

CHANNEL	VALUE	FUNCTION
1	000 ⇔ 255	<b>Pan</b> 0°~530°
2	000 ⇔ 255	<b>Pan fine</b> Fine pan adjustment
3	000 ⇔ 255	<b>Tilt</b> 0°~270°
4	000 ⇔ 255	<b>Tilt fine</b> Fine tilt adjustment
5	000 ⇔ 255	<b>Pan/tilt Speed</b> Normal > Slow
6	000 ⇔ 014 015 ⇔ 029 030 ⇔ 044 045 ⇔ 059 060 ⇔ 074 075 ⇔ 089 090 ⇔ 104 105 ⇔ 119 120 ⇔ 134 135 ⇔ 149 150 ⇔ 255	<b>Color</b> Open Red Yellow Green Pink Blue Orange Magenta Light blue Light green Color scroll (slow⇔fast)
7	000 ⇔ 009 010 ⇔ 019 020 ⇔ 029 030 ⇔ 039 040 ⇔ 049 050 ⇔ 059 060 ⇔ 069 070 ⇔ 079 080 ⇔ 099 100 ⇔ 119 120 ⇔ 139 140 ⇔ 159 160 ⇔ 179 180 ⇔ 199 200 ⇔ 219 220 ⇔ 255	<b>Gobo</b> Open Gobo 1 Gobo 2 Gobo 3 Gobo 4 Gobo 5 Gobo 6 Gobo 7 Gobo shake 7 Gobo shake 6 Gobo shake 5 Gobo shake 4 Gobo shake 3 Gobo shake 2 Gobo shake 1 Gobo scroll (slow⇔fast)
8	000 ⇔ 002 003 ⇔ 006 007 ⇔ 128 129 ⇔ 132 133 ⇔ 136 137 ⇔ 255	<b>Gobo rotation</b> No function Clockwise (slowest) Clockwise (slow⇔fast) No function Counter-clockwise (slowest) Counter-clockwise (slow⇔fast)
9	000 ⇔ 127 128 ⇔ 255	<b>Prism</b> No function Prism
10	000 ⇔ 255	<b>Dimmer</b> Closed ⇔ Open
11	000 ⇔ 031 032 ⇔ 063 064 ⇔ 095 096 ⇔ 127 128 ⇔ 159 160 ⇔ 191 192 ⇔ 223 224 ⇔ 255	<b>Strobe</b> Closed Open Strobe (slow⇔fast) Open Pulse Strobe (slow⇔fast) Open Random Strobe (slow⇔fast) Open
12	000 ⇔ 019 020 ⇔ 039 040 ⇔ 059 060 ⇔ 079 080 ⇔ 099 100 ⇔ 119 120 ⇔ 139 140 ⇔ 159 160 ⇔ 179 180 ⇔ 199 200 ⇔ 219 220 ⇔ 255	<b>Control (hold each of these for 5sec to trigger function)</b> No function Pan/tilt move-in-black (activate) Pan/tilt move-in-black (deactivate) Auto 1 Auto 2 Sound 1 Sound 2 Custom Test No function Reset No function



## Basic (8-bit)

CHANNEL	VALUE	FUNCTION
1	000 ⇔ 255	<b>Pan</b> 0°~530°
	000 ⇔ 255	<b>Tilt</b> 0°~270°
3	000 ⇔ 014	<b>Color</b> Open
	015 ⇔ 029	Red
	030 ⇔ 044	Yellow
	045 ⇔ 059	Green
	060 ⇔ 074	Pink
	075 ⇔ 089	Blue
	090 ⇔ 104	Orange
	105 ⇔ 119	Magenta
	120 ⇔ 134	Light blue
	135 ⇔ 149	Light green
	150 ⇔ 255	Color scroll (slow⇔fast)
4	000 ⇔ 009	<b>Gobo</b> Open
	010 ⇔ 019	Gobo 1
	020 ⇔ 029	Gobo 2
	030 ⇔ 039	Gobo 3
	040 ⇔ 049	Gobo 4
	050 ⇔ 059	Gobo 5
	060 ⇔ 069	Gobo 6
	070 ⇔ 079	Gobo 7
	080 ⇔ 099	Gobo shake 7
	100 ⇔ 119	Gobo shake 6
	120 ⇔ 139	Gobo shake 5
	140 ⇔ 159	Gobo shake 4
	160 ⇔ 179	Gobo shake 3
	180 ⇔ 199	Gobo shake 2
	200 ⇔ 219	Gobo shake 1
	220 ⇔ 255	Gobo scroll (slow⇔fast)
5	000 ⇔ 002	<b>Gobo rotation</b> No function
	003 ⇔ 006	Clockwise (slowest)
	007 ⇔ 128	Clockwise (slow⇔fast)
	129 ⇔ 132	No function
	133 ⇔ 136	Counter-clockwise (slowest)
	137 ⇔ 255	Counter-clockwise (slow⇔fast)
6	000 ⇔ 127	<b>Prism</b> No function
	128 ⇔ 255	Prism
7	000 ⇔ 255	<b>Dimmer</b> Closed ⇔ Open
8	000 ⇔ 031	<b>Strobe</b> Closed
	032 ⇔ 063	Open
	064 ⇔ 095	Strobe (slow⇔fast)
	096 ⇔ 127	Open
	128 ⇔ 159	Pulse Strobe (slow⇔fast)
	160 ⇔ 191	Open
	192 ⇔ 223	Random Strobe (slow⇔fast)
	224 ⇔ 255	Open
9	000 ⇔ 019	<b>Control (hold each of these for 5sec to trigger function)</b> No function
	020 ⇔ 039	Pan/tilt move-in-black (activate)
	040 ⇔ 059	Pan/tilt move-in-black (deactivate)
	060 ⇔ 079	Auto 1
	080 ⇔ 099	Auto 2
	100 ⇔ 119	Sound 1
	120 ⇔ 139	Sound 2
	140 ⇔ 159	Custom
	160 ⇔ 179	Test
	180 ⇔ 199	No function
	200 ⇔ 219	Reset
220 ⇔ 255	No function	

## Setting the DMX Starting Address

This DMX mode enables the use of a universal DMX controller device. Each fixture requires a "start address" from 1 to 512. A fixture requiring one or more channels for control begins to read the data on the channel indicated by the start address. For example, a fixture that uses 6 DMX channels and was addressed to start on DMX channel 100, would read data from channels: 100, 101, 102, 103, 104, and 105. Choose start addresses so that the channels used do not overlap, and note the start address selected for future reference.

If this is your first time addressing a fixture using the DMX control protocol, we suggest jumping to the Appendix Section and reading the heading "DMX Primer". It contains very useful information that will help you understand its use.

# 5. APPENDIX

## DMX Primer

There are 512 channels in a DMX-512 connection. Channels may be assigned in any manner. A fixture capable of receiving DMX 512 will require one or a number of sequential channels. The user must assign a starting address on the fixture that indicates the first channel reserved in the controller. There are many different types of DMX controllable fixtures and they all may vary in the total number of channels required. Choosing a start address should be planned in advance. Channels should never overlap. If they do, this will result in erratic operation of the fixtures whose starting address is set incorrectly. You can however, control multiple fixtures of the same type using the same starting address as long as the intended result is that of unison movement or operation. In other words, the fixtures will be slaved together and all respond exactly the same.

DMX fixtures are designed to receive data through a serial Daisy Chain. A Daisy Chain connection is where the DATA OUT of one fixture connects to the DATA IN of the next fixture. The order in which the fixtures are connected is not important and has no effect on how a controller communicates to each fixture. Use an order that provides for the easiest and most direct cabling. Connect fixtures using shielded two conductor twisted pair cable with three pin XLR male to female connectors. The shield connection is pin 1, while pin 2 is Data Negative (S-) and pin 3 is Data positive (S+).

## General Maintenance

To maintain optimum performance and minimize wear fixtures should be cleaned frequently. Usage and environment are contributing factors in determining frequency. As a general rule, fixtures should be cleaned at least twice a month. Dust build up reduces light output performance and can cause overheating. This can lead to reduced LED life and increased mechanical wear. Be sure to power off fixture before conducting maintenance.

Unplug fixture from power. Use a vacuum or air compressor and a soft brush to remove dust collected on external vents and internal components. Clean all glass when the fixture is cold with a mild solution of glass cleaner or Isopropyl Alcohol and a soft lint free cotton cloth or lens tissue. Apply solution to the cloth or tissue and drag dirt and grime to the outside of the lens. Gently polish optical surfaces until they are free of haze and lint.

The cleaning of internal and external optical lenses and/or dichroics must be carried out periodically to optimize light output. Cleaning frequency depends on the environment in which the fixture operates: damp, smoky or particularly dirty surrounding can cause greater accumulation of dirt on the unit's optics. Clean with soft cloth using normal glass cleaning fluid. - Always dry the parts carefully. - Clean the external optics at least every 20 days. Clean the internal optics at least every 30/60 days.

## Returns Procedure

Returned merchandise must be sent prepaid and in the original packing, call tags will not be issued. Package must be clearly labeled with a Return Merchandise Authorization Number (RMA #). Products returned without an RMA # will be refused. Call CHAUVET and request RMA # prior to shipping the fixture. Be prepared to provide the model number, serial number and a brief description of the cause for the return. Be sure to properly pack fixture, any shipping damage resulting from inadequate packaging is the customer's responsibility. CHAUVET reserves the right to use its own discretion to repair or replace product(s). As a suggestion, proper UPS packing or double-boxing is always a safe method to use.

**Note: If you are given an RMA #, please include the following information on a piece of paper inside the box:**

- 1) Your name
- 2) Your address
- 3) Your phone number
- 4) The RMA #
- 5) A brief description of the symptoms

## Claims

Damage incurred in shipping is the responsibility of the shipper; therefore the damage must be reported to the carrier upon receipt of merchandise. It is the customer's responsibility to notify and submit claims with the shipper in the event that a fixture is damaged due to shipping. Any other claim for items such as missing component/part, damage not related to shipping, and concealed damage, must be made within seven (7) days of receiving merchandise.

## Q-Spot™ 150-LED Troubleshooting

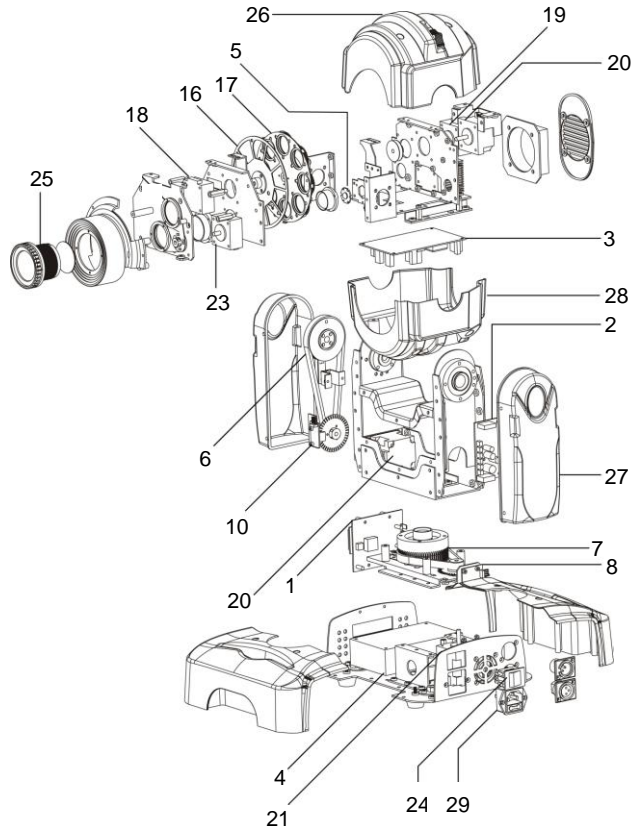
Symptom	Solution(s)
Beam is very dim or not bright	Clean optical SYSTEM
Breaker/Fuse keeps blowing	Check total load placed on device
Device has no power	Check for power on Mains. Check device's fuse. (internal and/or external)
Fixture is not responding	Check DMX Dip switch settings for correct addressing Check DMX cables Check polarity switch settings
Fixture is on but there is no movement to the audio	Make sure you have the correct audio mode on the control switches.
Loss of signal	Use only DMX cables Install terminator Note: Keep DMX cables separated from power cables or black lights.
Moves slow	Check 220/110v switch for proper setting
No light output	Call service technician
Stand alone mode	This fixture contains standalone programs. Please see the appropriate section(s) for the details of operation

**If you still have a problem after trying the above solutions, please contact CHAUVET Technical Support at the location on the next page.**

## Technical Support

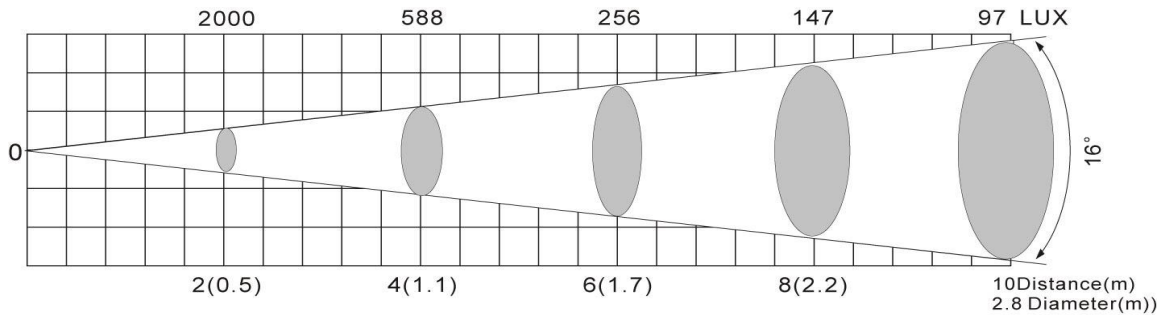
Address: Service Dept.  
3000 N 29th Ct, Hollywood, FL 33020 (U.S.A.)  
Support (Email): [tech@chauvetlighting.com](mailto:tech@chauvetlighting.com)  
Telephone: (954) 929-1115 - (Press 4)  
Fax: (954) 929-5560 - (Attention: Service)  
Website: <http://www.chauvetlighting.com>

# Exploded View



	Description	Part Number		Description	Part Number
1	Display PCB	P170-QS1DIS	16	Color Wheel	P150-QS1COW
2	Driver PCB (in side arm)	P255-QS1DRA	17	Gobo wheel	P115-QS1GOW
3	Driver PCB (in head)	P255-QS1DRH	18	Color motor	P110-QS1COM
4	Electronic Transformer	P140-QS1ELTR	19	Gobo motor	P110-QS1GOM
5	20W LED (white)	P222-QS1LED	20	Gobo Rot. motor	P100-QS1GRM
6	Tilt belt	P110-QS1TBT	21	Pan motor	P110-QS1PAM
7	Pan belt	P110-QS1PBT	22	Tilt motor	P110-QS1TILT
8	Pan optical sensor	P170-QS1POS	23	Prism motor	P111-QS1PMT
9	<b>Pan magnetic sensor (NOT SHOWN)</b>	P170-QS1PMS	24	Power switch	P100-SA00013
10	Tilt optical sensor	P170-QS1TOS	25	Front lens assembly	P152-QS1FLA
11	<b>Tilt magnetic sensor (NOT SHOWN)</b>	P170-QS1TMS	26	Gobo cover assembly	P100-QS1GRSA
12	<b>Color wheel sensor (NOT SHOWN)</b>	P170-QS1CWS	27	Side Arm cover	P100-QS1SAC
13	<b>Gobo wheel sensor (NOT SHOWN)</b>	P170-QS1GWS	28	Head cover set	P100-QS1HCS
14	<b>Fan 40mm 24V (NOT SHOWN)</b>	P130-QS1F4M	29	Power input	P170-IECFUSE
15	<b>Fan 60mm 24V (NOT SHOWN)</b>	P130-24V60M	30	<b>Bracket set (NOT SHOWN)</b>	P111-QS1BSS

## Photometrics



## Technical Specifications

### WEIGHT & DIMENSIONS

Length.....	9.5 in (242 mm)
Width.....	9.47 in (240 mm)
Height.....	14.3 in (364 mm)
Weight.....	13.5 lbs (6.1 kg)

### POWER

Autoswitching.....	100-240 VAC 50/60 Hz
Fuse.....	1.5A 250 V (fast-blow)
Power Consumption.....	75 W (0.6 A) max @ 120 V
Inrush Power.....	0.8 A @ 120 V
Power Consumption.....	75 W (0.3 A) max @ 230 V
Inrush Power.....	0.8 A @ 230 V

### LIGHT SOURCE

LED.....	1 x 20 W 1,000 mA (white) LED 50,000 hrs
----------	--

### PHOTO OPTIC

Luminance @ 1 m.....	4,180 lux
Beam Angle.....	16°

### RANGE

Pan.....	530°
Tilt.....	270°

### GOBOS

Outside diameter.....	25.75 mm
Image diameter (maximum).....	18.2 mm
Max thickness.....	1.2 mm

### THERMAL

Maximum ambient temperature.....	104° F (40° C)
----------------------------------	----------------

### CONTROL & PROGRAMMING

Data input.....	locking 3-pin XLR male socket
Data output.....	locking 3-pin XLR female socket
Data pin configuration.....	pin 1 shield, pin 2 (-), pin 3 (+)
Protocols.....	DMX-512 USITT
DMX Channels.....	9,12

### ORDERING INFORMATION

Q-Spot™ 150-LED.....	QSPOT150LED
----------------------	-------------

### WARRANTY INFORMATION

Warranty.....	2-year limited warranty
---------------	-------------------------